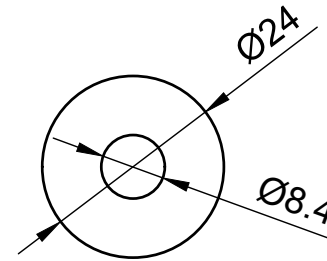
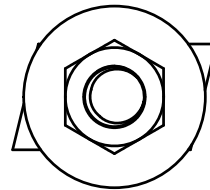
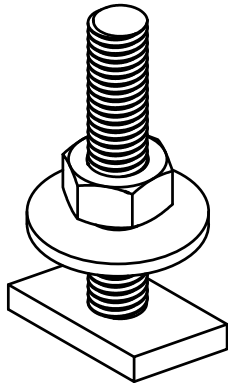
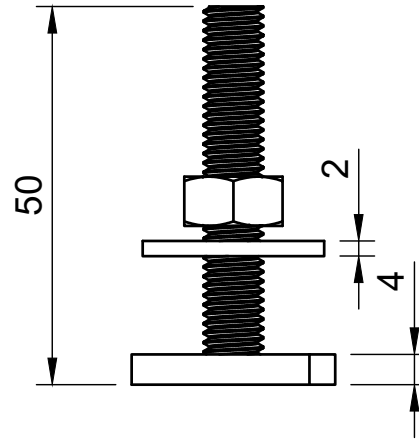
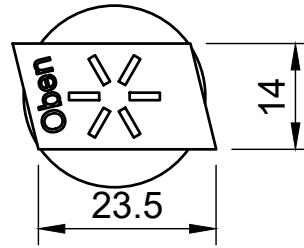
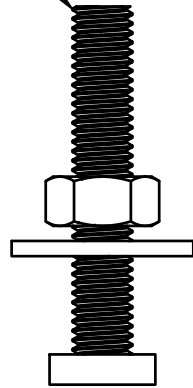


M8x1.25



Dept.	Technical reference	Created by <b>Octrade GmbH</b>	Approved by	
		Document type	Document status	
		Title <b>Hammerkopfbefestiger 27/18 M8*50</b>	DWG No.	
		Rev.	Date of issue	Sheet <b>1/1</b>